

INTELLIGENT SERVICES NETWORK

High Quality and High Performance Ethernet and IP Services

OVERVIEW

The Kordia™ Intelligent Services Network (ISN) is an application-aware converged, 'next generation IP network' based on MPLS technology. This gives customers the ability to confidently transport their Ethernet or IP traffic across the Kordia ISN and receive strict Quality of Service (QoS) and performance to support a wide range of business applications.

The Kordia™ ISN is used by some of New Zealand's largest corporate customers for WAN connectivity as well as by large ISP's to transport voice and Internet traffic. All of these customers have high expectations for quality and performance.

SERVICES

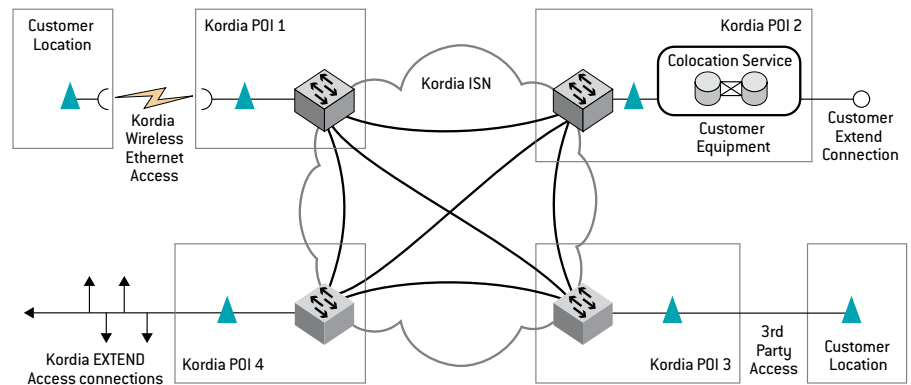
Kordia™ ISN services include Layer 2 (VPLS) and Layer 3 (VPRN) services that provide customers the throughput, reliability, flexibility and performance required in today's business environment. Kordia™ can tailor a solution to meet a customer's specific needs.

Kordia™ ISN Services offer point to point and multi-access services at both Layer 2 and Layer 3. Kordia™ can also provide Internet Gateway services over the same ISN access.

APPLICATIONS

Kordia™ ISN products have been developed to provide customers with a range of Ethernet and IP connectivity services that will:

- Provide high quality, secure network connectivity for crucial business applications
- Augment existing data or voice services; providing additional bandwidth and/or technology and operator diversity for a more robust communications infrastructure.



- Facilitate the integration of voice and data over a common infrastructure to reduce cost and increase flexibility and performance
- Allow design flexibility and the easy integration with existing IP/Ethernet networks to reduce network complexity and the cost of migrating services
- Support all IP networking applications
- Provide diverse access and network paths from other carriers.

ISN SERVICE REACH

Kordia™'s ISN services are provided from major distribution nodes at Kordia™'s points of interface in many New Zealand centres including: Auckland, Hamilton, Palmerston North, Wellington, and Christchurch as well as many smaller centres.

Kordia™ can extend the network to meet a customers individual requirements using Kordia™'s ISN distribution system via either a Kordia™ radio or fibre solution, or a customers own linking solution.